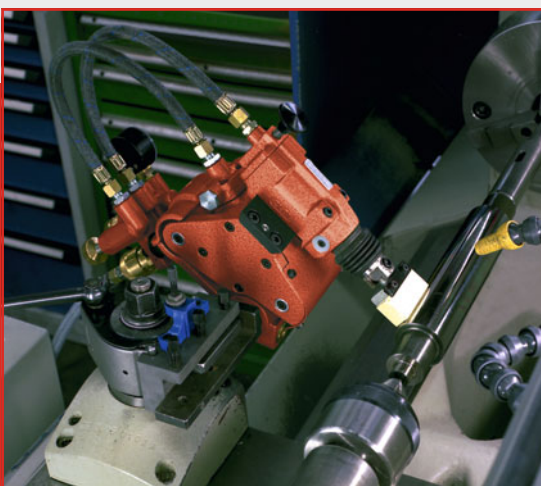


Superfinishing Attachments

Series 110/120



Pneumatic Superfinishing attachment for mounting on small and medium sized carrier machines for Superfinishing of ground and turned surfaces. In addition to cylindrical components, the attachment can also be used on flat, lightly convex or lightly concave surfaces and bores.

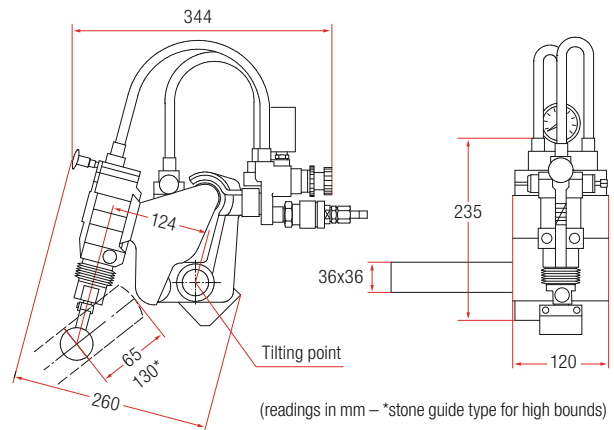
Superfinishing Attachments Series 110/120

supfina

The superfinishing attachments from the series 110/120 were designed for daily use. The rugged, pneumatically operated oscillator works with resistant transfer elements to ensure ballanced running. The complete oscillator drive runs on precision ball guides which ensures a precise parallel movement to the workpiece surface.

The oscillation frequency and the vibration amplitude are adjusted with a valve. The stone guides are actuated pneumatically and the contact pressure of the superfinishing stone is finely adjustable. The wear of the superfinishing stone is automatically compensated for.

Supfina 110



Technical Specifications	Supfina 110	Supfina 120
Frequence DH/min, max	2200	3200
min	2200	2800
Amplitude in mm	3–5	1.5–2.5
Air pressure in bar	4	4
Air consumption in Nm ³ /h	5–7	5–7
Weight in kg	12	11,8
Stone guide type	21.01	21.01
Extra stone guide type for high bounds	21.10	21.10
Stone guide stroke in mm	25	25
No. of stone guides	1–2	1–2
Piston surface in cm ²	10	10

Accessories

Double and triple stone holders are available upon request, for larger workpiece diameter.



Stone holders for internal machining of bores with a diameter down to 45 mm and bore depth up to 140 mm.



Pneumatic control units make a remote control and the selection of the essential operating time of the attachment possible.



Coolant Filter Unit

The superfinishing process requires ample flushing to the work surface. A built in filter ensures that the flushing agent will remain clean.



Superfinish Know-how

... in all applications with highest economical, ecological and efficient requirements for high-end surface and geometry qualities. You require technology consulting? Contact us.



Supfina Grieshaber GmbH & Co. KG
Distribution LeanSystems
Schmelzgrün 7 · 77709 Wolfach / Germany
Phone +49 7834 866-100 · Fax +49 7834 866-200
leansystems@supfina.com

Surface Finishing Systems
www.supfina.com